



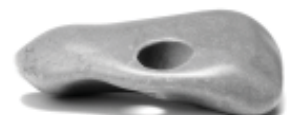
Bathtub with the SX  
hydro-massage system

Klio rectangular: 160 x 70  
170 x 70

Klio asymmetric: 140 x 80  
150 x 100  
163 x 103

Klio symmetric: 133 x 133  
140 x 140

Instruction manual  
Warranty



## TABLE OF CONTENTS

1. MANUAL OVERVIEW .....	3
2. WATER MASSAGE.....	3
3. AIR MASSAGE (Pearl bath).....	3
4. DISINFECTION.....	3
5. TRANSPORT .....	3
6. PREPARING THE ROOM.....	3
7. PRELIMINARY BATHTUB PLACEMENT .....	3
8. CLEANING THE BATHTUB .....	4
9. CONNECTING TO THE SEWAGE SYSTEM .....	4
10. CONNECTING TO THE WATER SUPPLY .....	4
11. CONNECTING TO THE POWER SUPPLY.....	4
12. TESTING BATHTUB LEAKPROOFNESS DURING INSTALLATION .....	4
13. PROPER INSTALLATION.....	4
14. INSTALLING PANEL ENCLOSURE .....	5
15. SYSTEMS AND THEIR CONTROL PANELS .....	6
15.1. SX1 SYSTEM - water massage.....	6
15.2. SX2 SYSTEM - water and air massage.....	7
16. PLACE OF FAUCET INSTALLATION .....	8
17. BATHTUB MAINTENANCE .....	9
18. REPAIRS .....	9
19. IMPORTANT INFORMATION .....	10
20. TECHNICAL DRAWINGS .....	10
WARRANTY TERMS .....	14
WARRANTY CARD .....	15

## 1. MANUAL OVERVIEW

Follow the instruction manual for hydro-massage systems closely to ensure the best use of massage capabilities and to avoid problems or failure caused by inappropriate operation.

We recommend hiring a qualified ROCA POOL-SPA installer to install the bathtub.

The system to which the bathtub is connected must be equipped with a residual current device. Only a person with appropriate electrical qualifications is permitted to connect the bathtub to the electrical system. This person should confirm correct bathtub connection in the Warranty Card. This is required in order for the warranty to be deemed valid by the manufacturer!

## 2. WATER MASSAGE

Water massage is generated by a water pump located under the bathtub. The water pump power is 900 W.

Water massage is performed by nozzles installed in the bathtub. Water is forced by the pump through the nozzles located inside the bathtub. The intensity of water massage can be controlled by adding air to the water stream flowing out of the nozzles (aeration). The more air, the more intense the stream.

## 3. AIR MASSAGE (Pearl bath)

Air massage (so-called "pearl massage") can be used as an addition to hydro-massage. It involves using small air bubbles to perform a gentle relaxing massage.

The air massage is generated by an air blower. The blower power is 500 W. Small bubbles of air are forced into the bathtub through a system of tubes and nozzles under the bathtub.

## 4. DISINFECTION

The water system of hydro-massage bathtubs requires periodic disinfection. Perform it regularly to ensure clean and pleasant bathing.

### Disinfecting the water and air system:

Every 2 to 4 weeks – depending on the frequency of bathtub use – fill the bathtub with clean cold water above the nozzle level and add 50 ml of a disinfecting liquid for each 100 l of water in the bathtub. Activate the pump and the blower for a few minutes. Leave the bathtub filled for 10-20 minutes, and then activate the device for a few minutes again. Then, empty the bathtub and rinse it thoroughly with clean tepid water.

### Disinfecting the air system (temporarily):

Fill the bathtub with clean cold water up to a level of ca. 5-6 cm and add ca. 20 ml of disinfectant. Activate the blower for 1 minute, and then leave the bathtub filled for 10 minutes. Repeat this step two more times. Then, empty the bathtub and rinse it thoroughly with clean tepid water. Approximately 10 minutes after draining the water, activate air massage (blower) for ca. 1 minute to dry the air nozzles completely.

## 5. TRANSPORT

The bathtub should be transported in its original container. When moving the bathtub, hold it by its aluminum frame or acrylic parts.

Never use the tubes and hoses of massage systems as handles.

## 6. PREPARING THE ROOM

When preparing the room for bathtub installation, make sure it meets the following requirements:

- appropriate size
- 230 V~ power supply
- water inlet and outlet
- leveled surface
- appropriate ventilation
- for corner bathtubs: the corner where the bathtub will be installed should have a right angle, and the vertical deviation of walls should not exceed 1 mm/m.

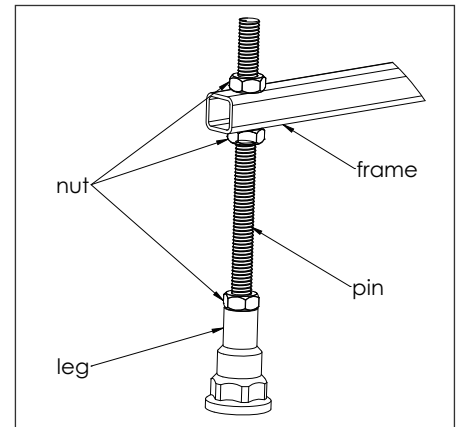
## 7. PRELIMINARY BATHTUB PLACEMENT

After unpacking the bathtub, install the enclosed legs immediately (placing the bathtub without its legs may damage the overflow). The package included with the bathtub contains parts of these legs.

The installation set includes::

- plastic legs,
- M10 threaded pins,
- M10 nuts,
- plastic top handles,
- handle plugs.

Screw the legs and locking nuts onto the pins, and then screw the pins inside profile sockets (see the illustration). Turn the bathtub, place it on the legs, set the height, and then level it in its future place of installation



## 8. CLEANING THE BATHTUB

Before installation, clean the chromium-plated surfaces of the accessories and the acrylic bathtub surface to remove preservative substances.

## 9. CONNECTING TO THE SEWAGE SYSTEM

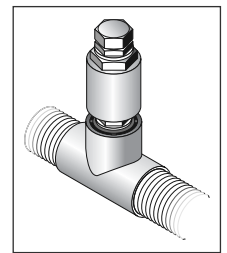
Screw one end of the enclosed drain trap to the bathtub outlet and connect the other end to the sewage system connection using an appropriate flexible hose.

## 10. CONNECTING TO THE WATER SUPPLY

The hydro-massage bathtub can be filled normally using concealed faucets or bathtub-mount faucets with a spout. If you cut out holes for bathtub-mount faucets using a professional hole saw in the places recommended by the manufacturer, bathtub warranty will remain valid.

### Connection for filling the bathtub through nozzles:

The bathtub is equipped with a pipe tee (included in piping) with a connection for filling the bathtub through nozzles. It is a single connection with a check valve, to which mixed water should be led using an armored flexible hose.



## 11. CONNECTING TO THE POWER SUPPLY

The electrical system of the bathtub should be connected to power by a qualified electrician. The warranty terms require that a person with appropriate electrical qualifications confirms correct electrical connection of the bathtub. In accordance with the Polish Standards (PN-EN 60335-1, PN-EN 60335-2-60) a hydro-massage bathtub is a Class I electrical device and, as such, must be connected to power permanently. For safety reasons, the bathtub power cord should be connected to power using only an electrical connection secured with a residual current device (RCD) with rated cut-off current not exceeding 30 mA. The minimum section of the bathtub power cord is 3 x 1.5 mm<sup>2</sup>. The electrical connection for permanent bathtub connection should be prepared in zone I (device located under the bathtub). The bathtub also requires an equalizer connection.

We recommend checking the residual current device periodically in accordance with the guidelines on testing and resetting such devices.

The electrical system should be equipped with appropriate manual cut-off mechanism. The device must ensure that contacts are spread on each power supply pole at overvoltage category III.

## 12. TESTING BATHTUB LEAKPROOFNESS DURING INSTALLATION

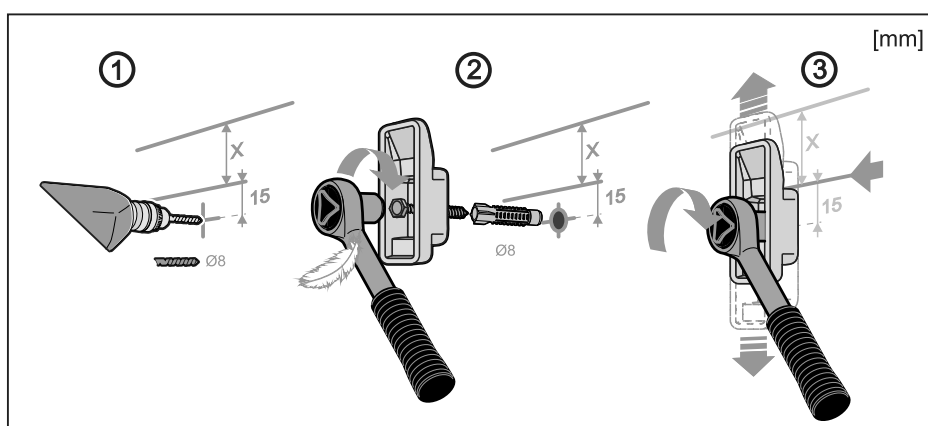
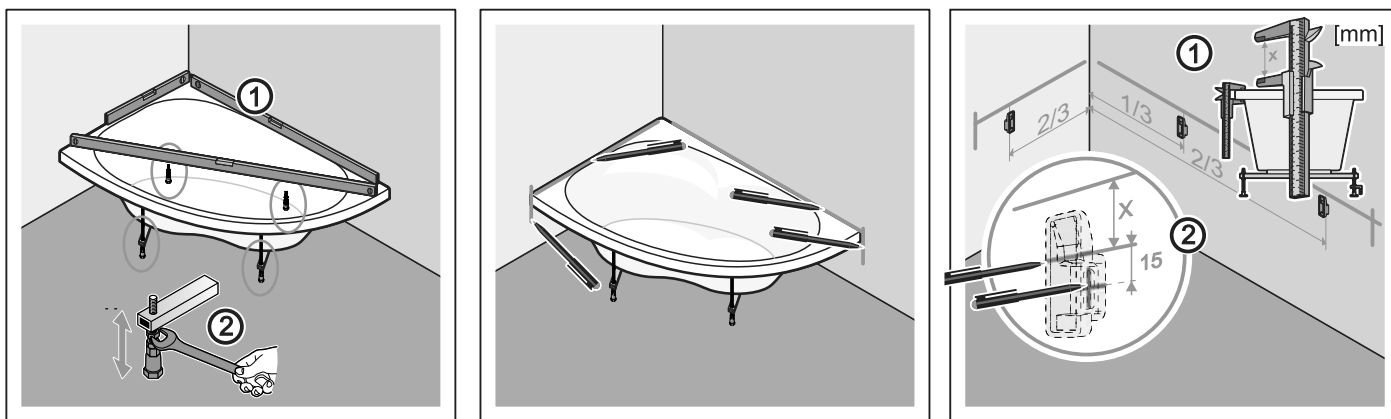
After preliminary bathtub placement, leveling and connecting it to the water supply, power supply and sewage system, adjust the threaded shank to set the height of the overflow/drain device head, and then fill the bathtub with hot water to the overflow level. Inspect the surface of the bottom as well as all devices and parts of bathtub piping. If the results of inspection are positive, activate the massage systems available in a given bathtub for 10 minutes. When the systems are switched off completely, leave the bathtub filled for 1 hour, and then inspect it again. If the results of inspection are positive, empty the bathtub and proceed to proper installation.

## 13. PROPER INSTALLATION

Once the bathtub is tested for leakproofness:

- place it in the desired location
- set the bathtub height, keeping in mind the possible height of bathtub enclosure,
- perform bathtub leveling, making sure the bottom is slightly sloped towards the outlet,
- set the gap between room walls and bathtub top (ca. 3 mm),
- set the location of bathtub top and mount plastic handles on walls,

- lock bathtub legs with locking nuts
- enclose the bathtub, ensuring access of fresh air to bathtub devices (area equal to 2 standard ventilation grates) and space for removing drain tap when it needs to be cleaned
- seal the gap between the bathtub and surrounding walls using masking strip or sanitary silicone.



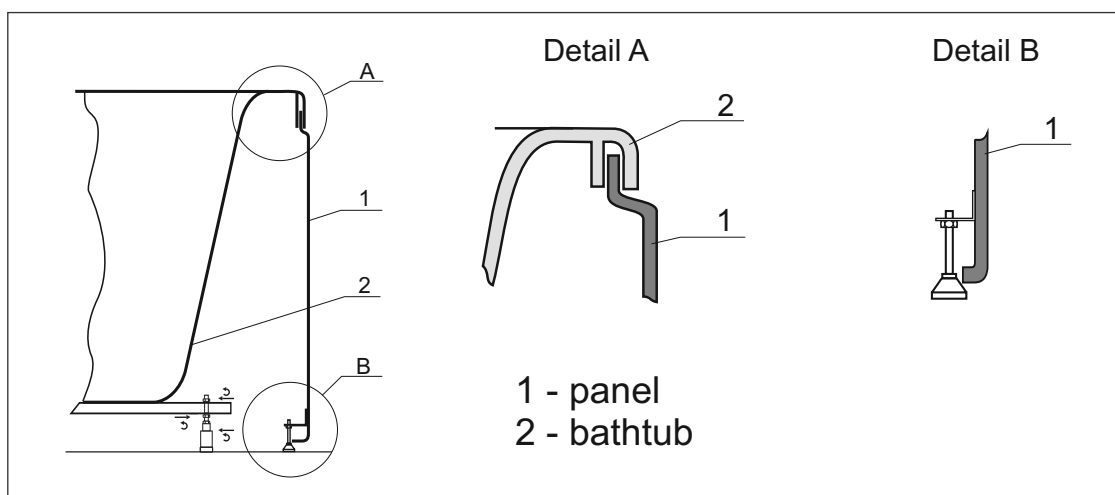
#### 14. INSTALLING PANEL ENCLOSURE

Panel bathtub enclosures were designed to ensure the access of air to devices under the bathtub. Their height was measured as to create a ca. 3 mm gap under the enclosure after installation.

When installing manufacturer's suggested enclosures:

- set enclosure spacer screws located in the aluminum bathtub frame
- attach pressure springs to holes in the bottom part of bathtub enclosure
- place the enclosure with compression springs near the bathtub
- attach free spring ends to holes in the bottom part of aluminum bathtub frame
- place the upper rib of bathtub enclosure in the gap between bathtub edge and limiters.

Panel bathtub enclosures with simplified frame are equipped with laminated aluminum flats, to which you should screw the legs that set the height and support the enclosure.



## 15. SYSTEMS AND THEIR CONTROL PANELS

### 15.1. SX1 SYSTEM - water system

#### • Water massage

- 4 back nozzles
- 2 foot nozzles
- 4 side nozzles
- control of water massage intensity through aeration
- water level sensor that prevents the pump from running dry.

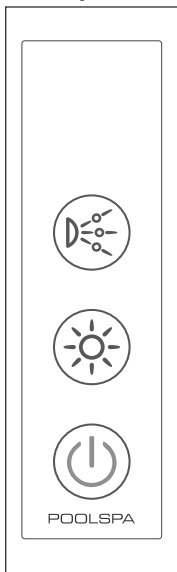
#### • Water massage intensity control knobs

- bathtub top includes control knobs for adjusting air flow that adds aeration to water massage.
- The control knobs direct air to side nozzles, back nozzles and foot nozzles.

#### • Chromotherapy


- multi-color LED spotlight


#### SX1 hydro-massage system control



Proper activation or deactivation of features is always confirmed with a beep.


#### **System activation:**


Touch the  symbol once to activate the hydro-massage system (all icons on the control panel as well as the LED light with automatic color changer will be switched on).

Touch the  symbol again to deactivate the entire system.

#### **Water massage:**

The bathtub is equipped with a water level sensor to prevent the water massage pump from running dry. If the water level is below the required level, the pump will not start.


Touch the  symbol once to activate the water massage pump.


Touch the  symbol again to deactivate this feature.

The massage switches off automatically after 30 minutes. The system will then wait until you switch it back on or empty the bathtub.

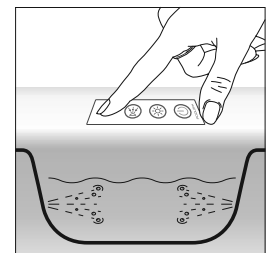
#### **Chromotherapy:**

The LED light with color changer is switched on automatically after activating the hydro-massage system.

Touch the  symbol once to deactivate the multi-color light.

Touch the  symbol again to activate or deactivate this feature. The light switches off automatically after 30 minutes.

**NOTE!** After approximately 3 min of the whirlpool system operation (water massage or the light function active), the control panel will be automatically locked. To unlock the panel, hold your finger at the position shown in the figure below, until the „beep” will be heard.



**CAUTION!** If there is too much water on the control panel, remove it to ensure proper system operation.

## 15.2. SX2 SYSTEM - water and air system

### • Water massage

- 4 fixed back nozzles,
- 2 fixed foot nozzles (excluding Klio Asymmetric 140 x 80),
- 4 flat side nozzles with the option to direct water stream,
- independent control of back/side/foot massage intensity through aeration,
- water level sensor that prevents the pump from running dry,
- drain for removing water from the water massage system after bath.

### • Water massage intensity control knobs

- bathtub top includes control knobs for adjusting air flow that adds aeration to water massage.
- The control knobs direct air to side nozzles, back nozzles and foot nozzles.

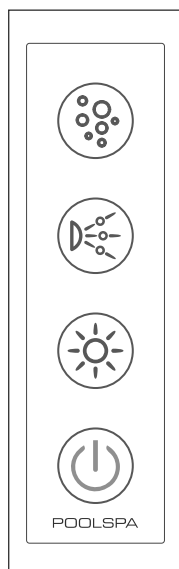
### • Air massage:

- system of air ducts in the bathtub,
- drain for removing water from the air massage system after bath,
- automatic hot air drying of the air system after bath.

### • Chromotherapy


- multi-color LED spotlight.


## SX2 hydro-massage system control



Proper activation or deactivation of features is always confirmed with a beep.


### **System activation:**


Touch the  symbol once to activate the hydro-massage system (all icons on the control panel as well as the LED light with automatic color changer will be switched on).

Touch the  symbol again to deactivate the entire system.

### **Water massage:**



The bathtub is equipped with a water level sensor to prevent the water massage pump from running dry. If the water level is below the required level, the pump will not start.

Touch the  symbol once to activate the water massage pump.

Touch the  symbol again to deactivate this feature.

The massage switches off automatically after 30 minutes. The system will then wait until you switch it back on or empty the bathtub.

### **Air massage:**

Touch the  symbol once to activate the air massage pump. Touch the  symbol again to deactivate this feature.

The massage switches off automatically after 30 minutes. The system will then wait until you switch it back on or empty the bathtub.


### **Blowing through air ducts:**


The air nozzles are automatically blown through and dried 30 minutes after draining water from the bathtub (for 5 minutes), even if none of the features was activated.

**If the bathtub was filled with a small amount of water, the water level sensor will not detect it. That is why, once you empty the bathtub, activate the blower for ca. 1 minute manually to blow through air nozzles and remove remaining water.**

### Chromotherapy:

The LED light with color changer is switched on automatically after activating the hydro-massage system.

Touch the  symbol once to deactivate the multi-color light.

Touch the  symbol again to activate or deactivate this feature. The light switches off automatically after 30 minutes.

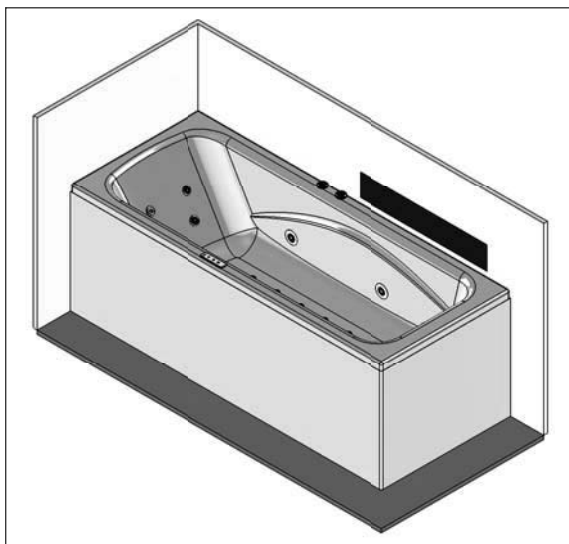
**NOTE!** After approximately 3 min of the whirlpool system operation (water massage or the light function active), the control panel will be automatically locked. To unlock the panel, hold your finger on any function button, until the „beep” will be heard.

**CAUTION!** If there is too much water on the control panel, remove it to ensure proper system operation.

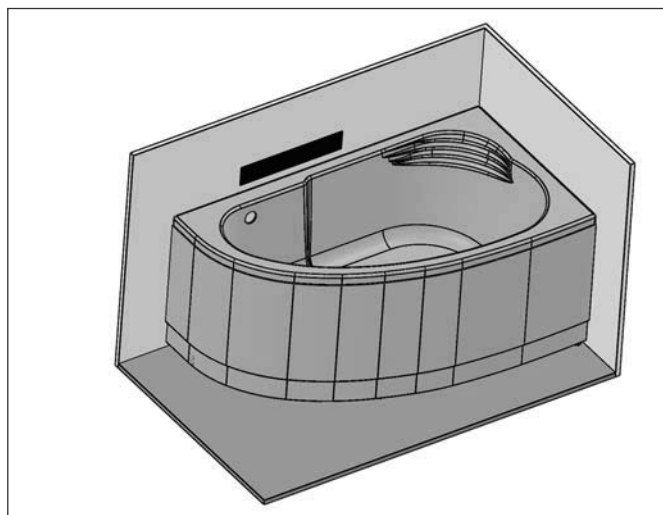
## 16. PLACE OF FAUCET INSTALLATION

Klio rectangular

No place for bathtub-mount faucets. Suggested installation of wall-mount faucets.



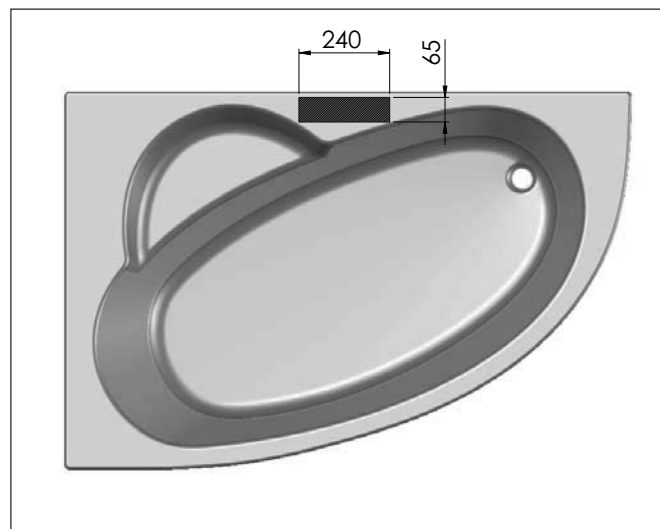
Klio asymmetric 140 x 80



Klio symmetric 133 and 140

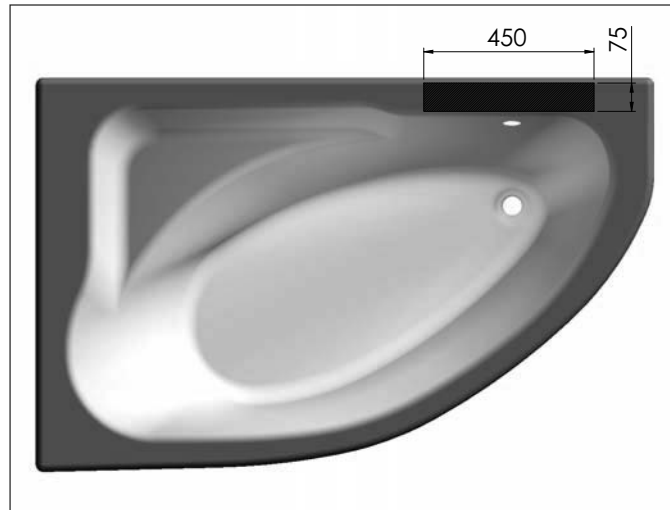


Klio asymetryczne 150 x 100





Klio asymmetric 163 x 103



## 17. BATHTUB MAINTENANCE

Clean the bathtub using delicate liquids only (not containing acetone, abrasives or caustic substances). Thanks to the structure and low adhesion of acryl it is easy to keep the bathtub clean.

Disinfect the bathtub at least once a month and remember to activate bathtub massage systems every time. Rinse the bathtub thoroughly after disinfection.

Clean the water suction device periodically (at least once a quarter) to remove any dirt. If the suction device is contaminated, it may damage pump engine or the water massage pump itself.

## 18. REPAIRS

Mechanical damage (minor scratches) of acryl can be easily repaired. For minor scratches, use a very small amount of wax-free liquid car polish. Deeper scratches or cracks can be removed by using first abrasive paper with 800, 1200 and 2000 grit, and then the above-mentioned liquid. To keep bathtub surface smooth, rub it with circular moves, and then apply a wax-based car body polish (thus ensuring high gloss).

Problem	Possible cause	Procedure
Massage systems do not work	Interrupted power supply	Check bathtub power supply
Water pump works, although there is no water in the bathtub	Damaged water level sensor	Call the ROCA POOL-SPA service center
Low water pressure in nozzles	Contaminated water system	Clean the suction device mesh and clean the water system using a disinfectant
Cracking noise and deformation of bathtub filled with water.	Inappropriate placement of bathtub on its legs, lack of installation gaps	Adjust support points, secure screws with locking nuts, create installation gaps
Bathtub emits an unpleasant smell	Inappropriate bathtub maintenance, no maintenance of overflow/draining valve	Disinfect on a regular basis
Foaming occurs during bath	Use of inappropriate bathing products	Use only low-foam bathing products
Bathtub scratches	Use of inappropriate cleaning agents, external factors	Remove scratches by polishing the bathtub; surface cracks prevent repairs

## 19. IMPORTANT INFORMATION

Remember that it is easy to slip on the wet surface of most bathtubs, especially when using soaps, shampoos, bath oils, etc. The designers, installers and users alike should always keep this in mind.

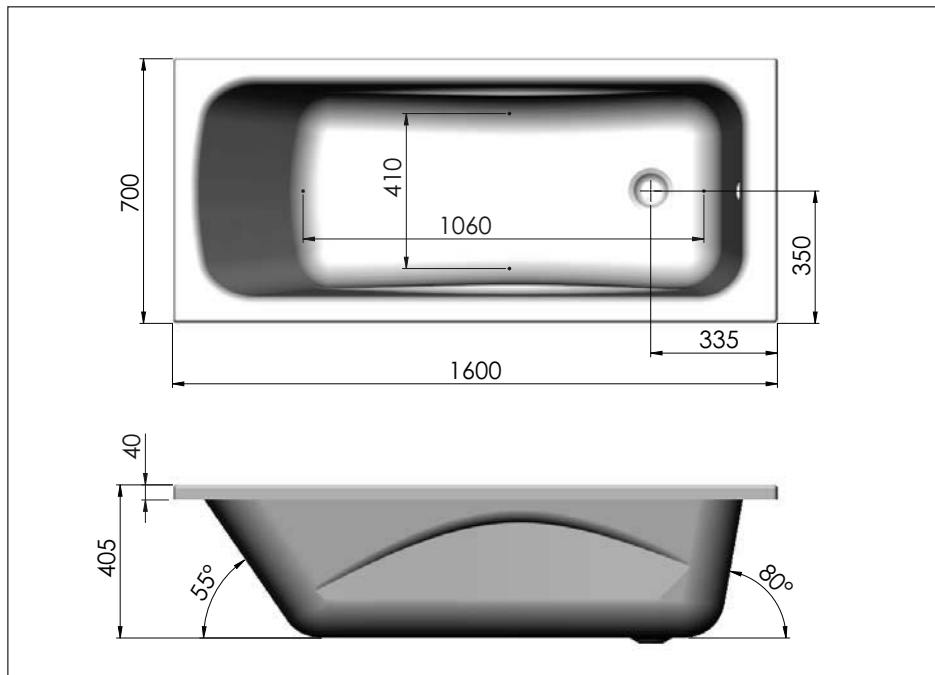
The bathtub may be positioned and repaired only by qualified installers with appropriate officially recognized certificates that confirm their compliance with local safety regulations (e.g. electrical or water supply/drain qualifications).

Small children should not use a hydro-massage bathtub without supervision. The elderly, infirm and disabled people should be extra careful when using a hydro-massage bathtub.

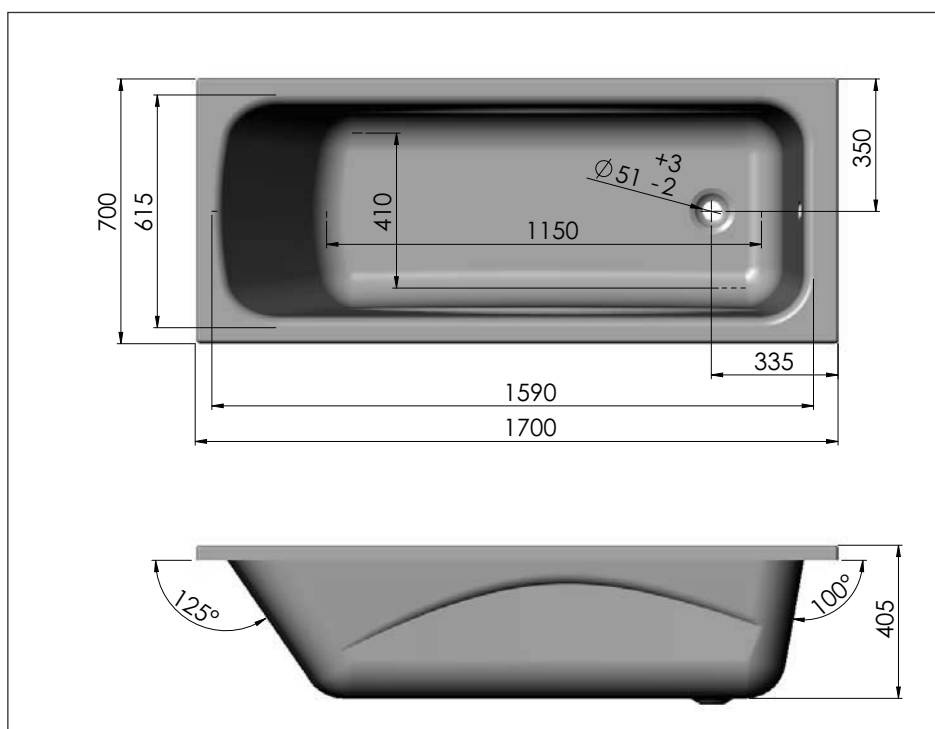
To make sure everyone uses this bathtub safely, hand this instruction manual over to its future owners and users.

## 20. TECHNICAL DRAWINGS

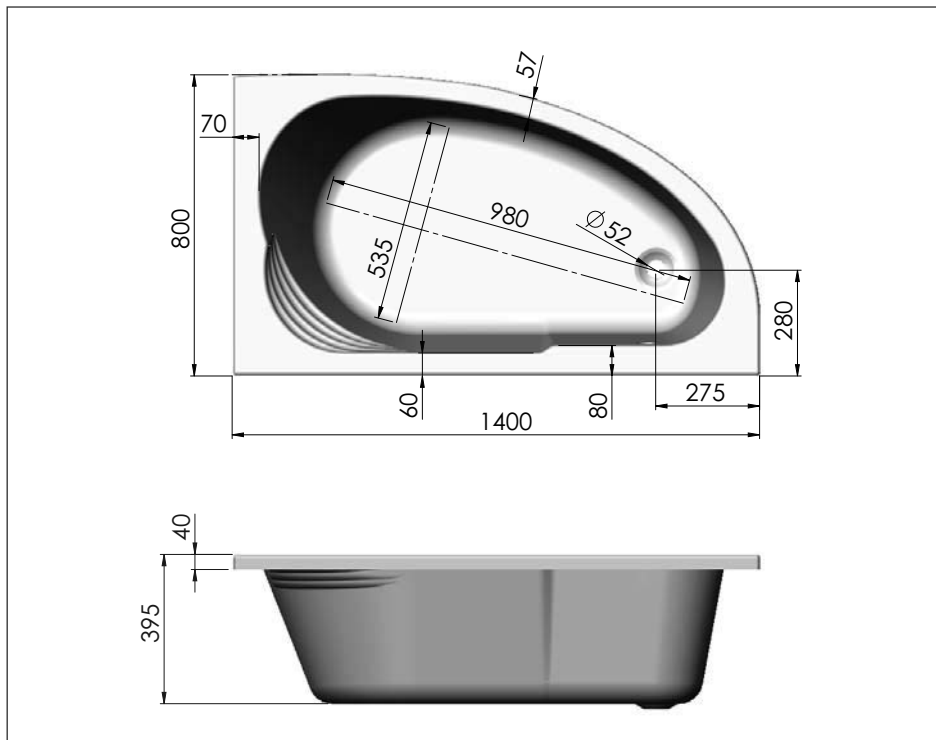
KLIO 160x70 bathtub



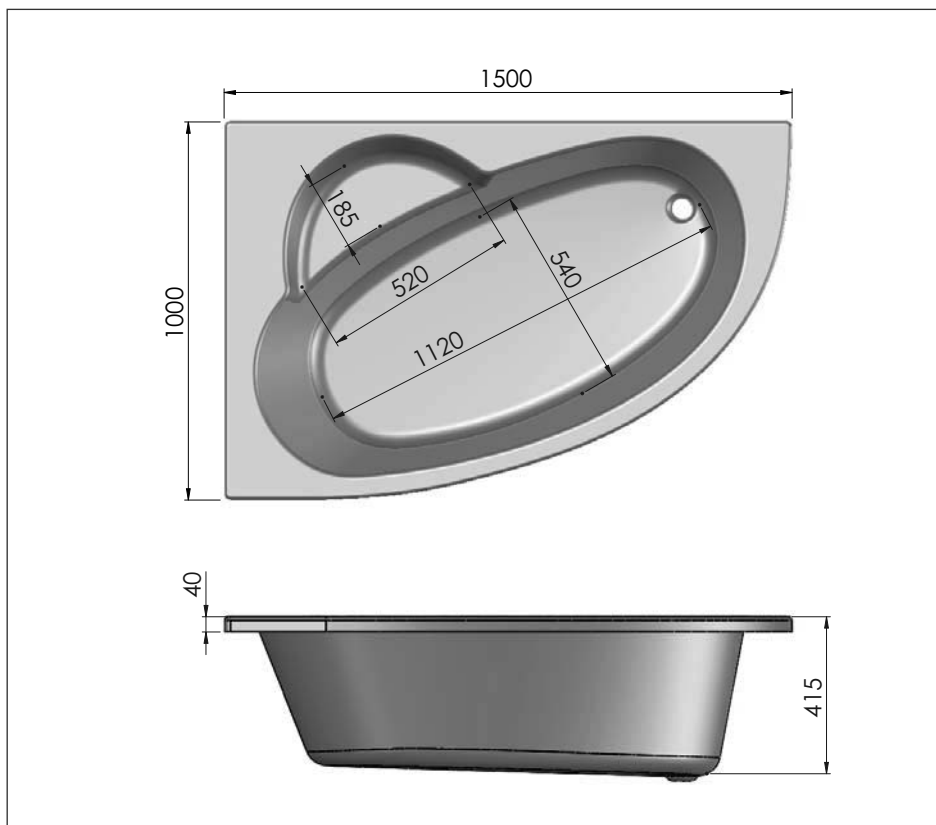
KLIO 170x70 bathtub



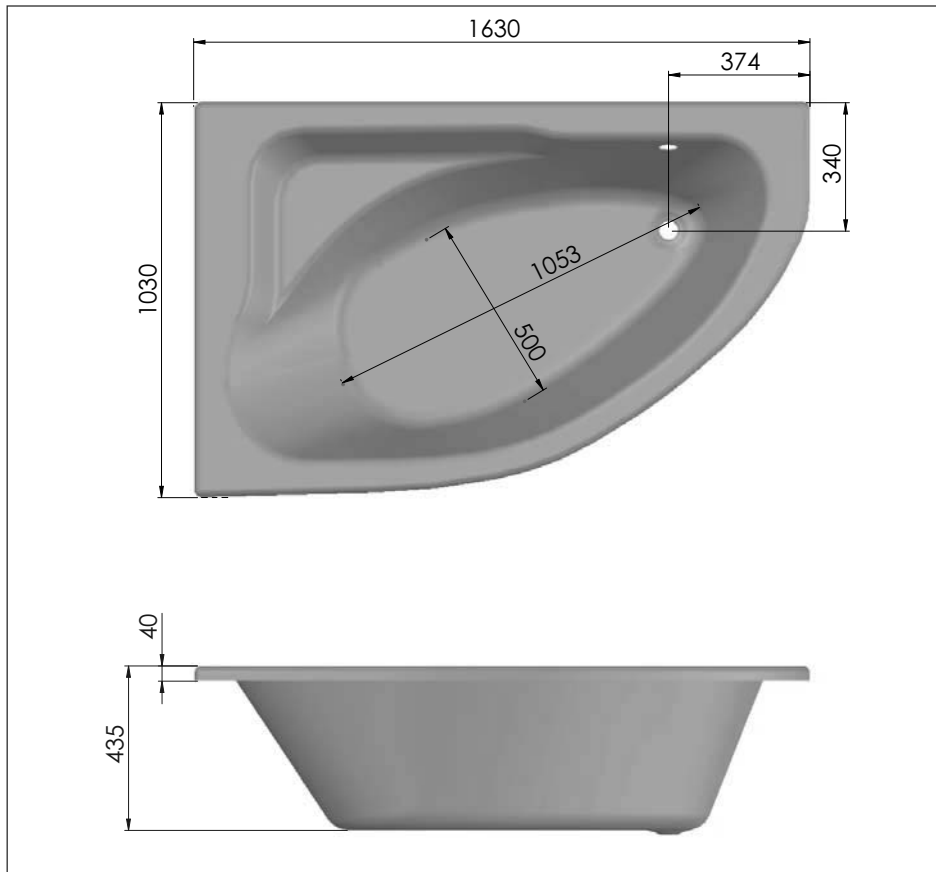
**KLIO 140x80 bathtub**



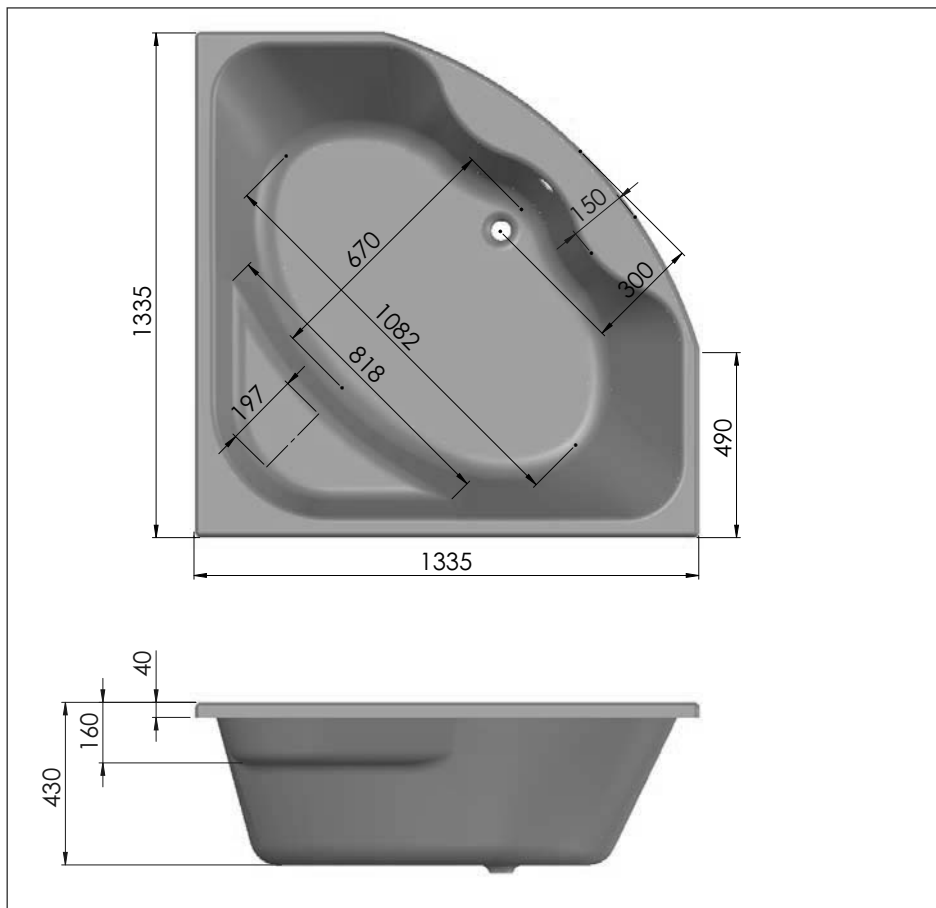
**KLIO 150x100 bathtub**



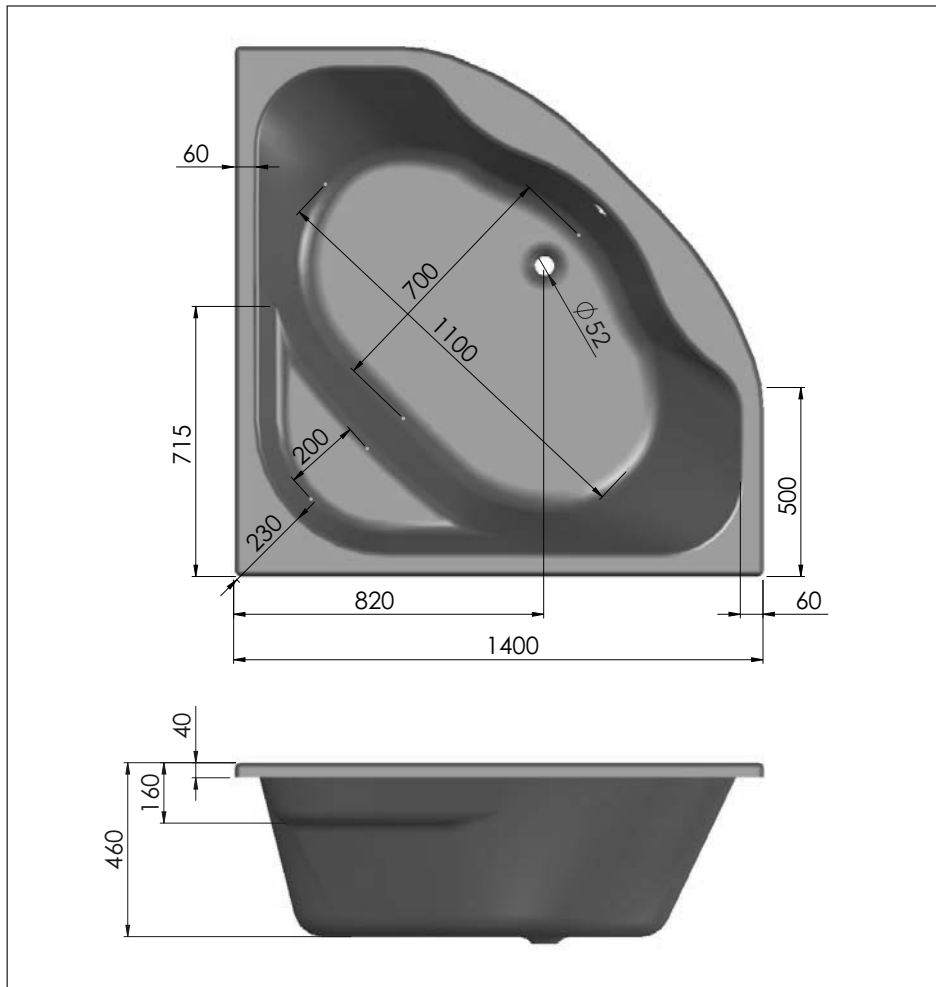
**KLIO 163x103 bathtub**



**KLIO 133x133 bathtub**



KLIO 140x140 bathtub



## WARRANTY TERMS

1. Roca Pool-Spa Sp. z o.o. grants a 60-month warranty for the acrylic surface and a 24-month warranty for other parts of the product.
2. This warranty is valid only if the bathtub is installed by an installer with electrical qualifications.
3. Any noticed damage or fault should be reported to the dealer within 7 days from its occurrence. If it is impossible to contact the dealer, the Roca Pool-Spa Service Department, Poland should be notified in writing within the above-mentioned period.
4. All repairs are performed at customer's location.
6. This warranty becomes void in the following cases:
  - mechanical damage of accessories
  - mechanical damage of product surface
  - user's own repairs and modifications
  - installation of other devices on the product (except faucets mounted on bathtubs in designated places)
  - maintenance performed contrary to instructions in this manual.
7. The warranty document is invalid if the dealer does not confirm the sale with their signature, stamp and date on the Warranty Card on the day of purchase.
8. The manufacturer does not reimburse costs of any damage to wall and floor surfaces (e.g. glaze, terracotta, wood paneling, etc.) caused directly by the need to repair the product.

Roca Pool-Spa Sp. z o.o.  
ul. Wyczółkowskiego 20,  
44-109 Gliwice, Poland  
phone: +48 32 339 41 00,  
www.roca.pl, e-mail: biuro@roca.pl

# WARRANTY CARD



MODEL, ACCESSORIES

[Blank area for Model, Accessories]



SERIAL NUMBER

[Blank area for Serial Number]



PRODUCTION DATE

[Blank area for Production Date]



QUALITY CONTROL

**ROCA POOL-SPA**  
QUALITY CONTROL  
...../...../.....



RATED POWER CONSUMPTION

[Blank area for Rated Power Consumption]



REQUIRED CURRENT PROTECTION

[Blank area for Required Current Protection]



THERMAL PROTECTION CLASS

**F**



**DEALER:**  
(date of sale, dealer's  
signature and stamp)

[Blank area for Dealer Information]



ELECTRICIAN'S/INSTALLER'S STAMP

[Blank area for Electrician's/Installer's Stamp]



ROCA POOL-SPA Sp. z o.o.  
ul. Wyczółkowskiego 20,  
44-109 Gliwice, Poland  
phone: +48 32 339 41 00  
[www.roca.pl](http://www.roca.pl),  
e-mail: [infolinia@roca.pl](mailto:infolinia@roca.pl)

ROCA POOL-SPA is committed to constant improvement of its products and reserves the right to introduce changes to the specification and colors without prior notification. However, ROCA POOL-SPA makes every effort to ensure that the specifications are up-to-date on the date of publication.

