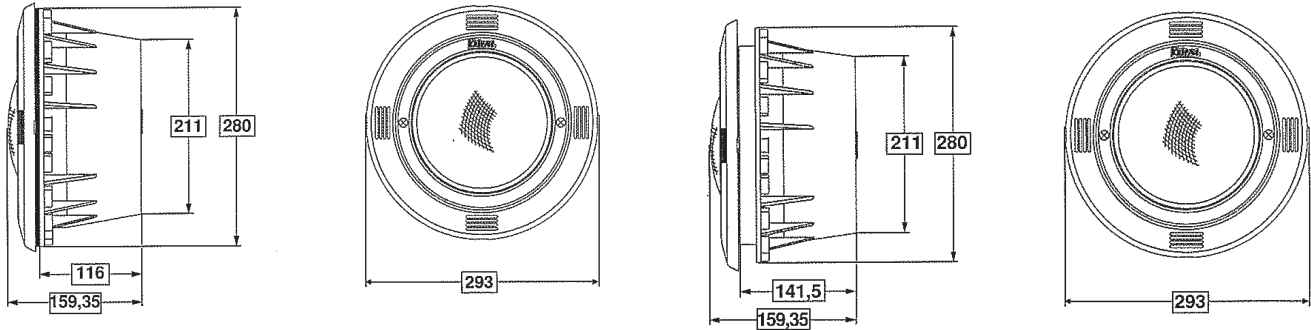


POOL UNDERWATER LIGHTS

KRIPSOL® UNDERWATER LIGHT - 300 WATT



	34-143410	34-143411
Model	For concrete	For liner
Watt	300W	300W
Vac	12V	12V
Diameter mm	0,7 D 14	0,7 D 14
Cable incl.	2 x 6 mm	2 x 6 mm
Protection	IP68	IP68
Niche connection for flex hose. int. Thread	M20 x 1,5	M20 x 1,5