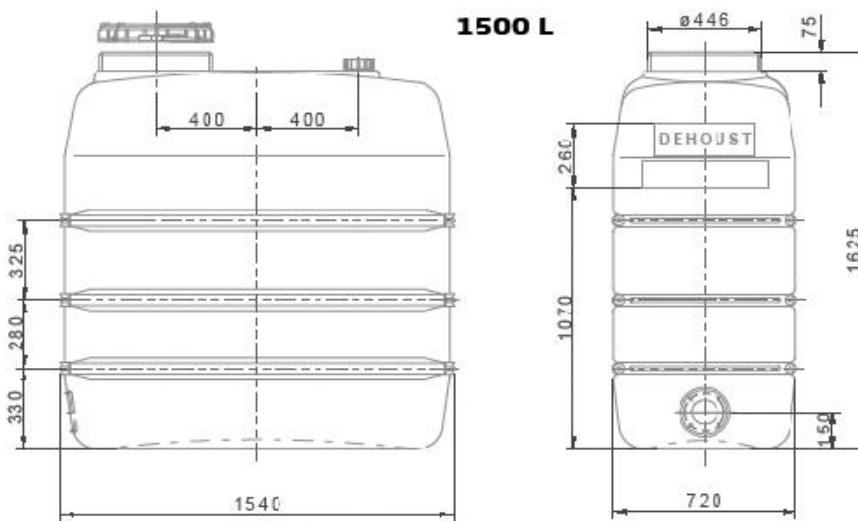
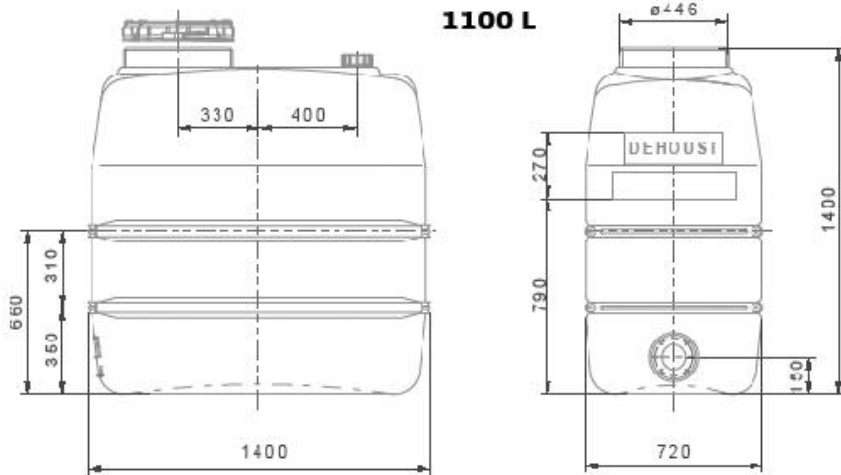


# BALANCE TANKS

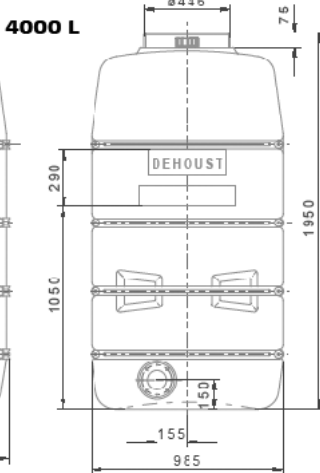
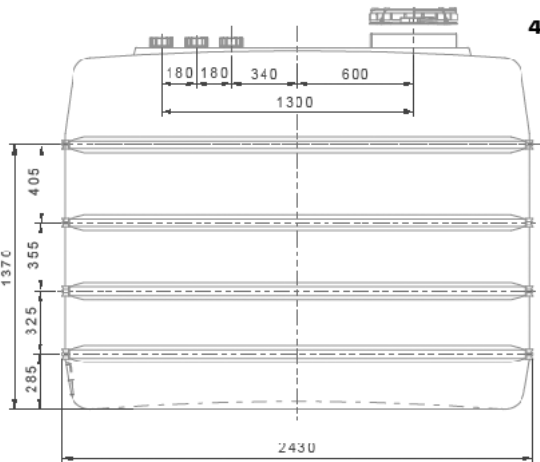
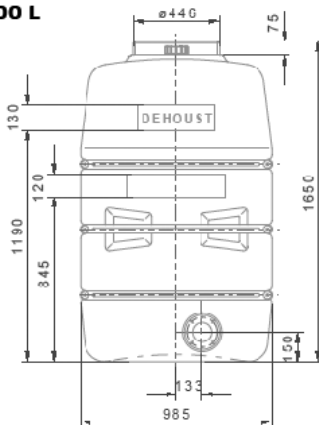
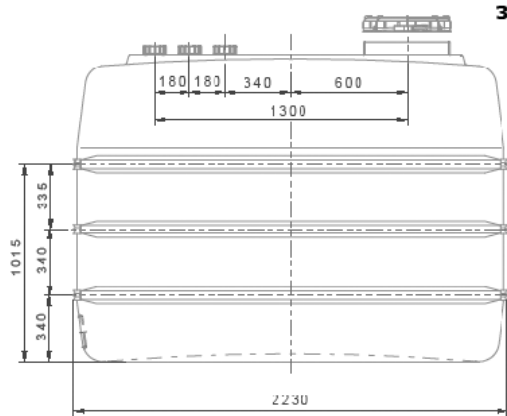
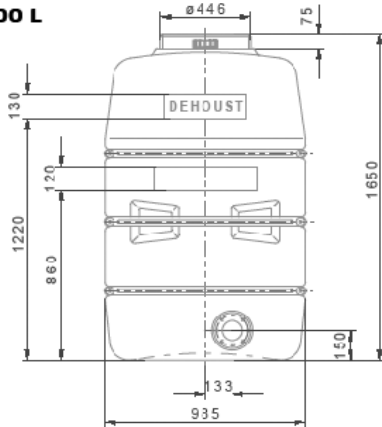
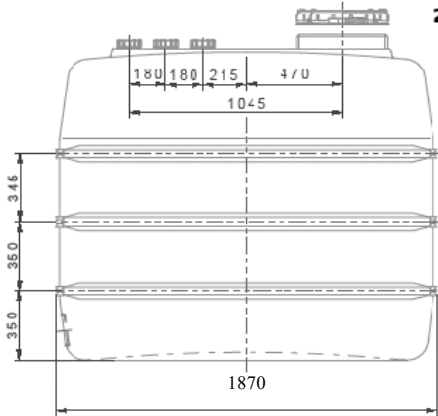
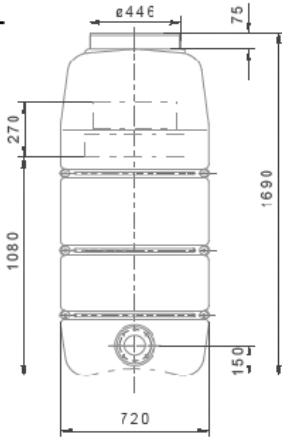
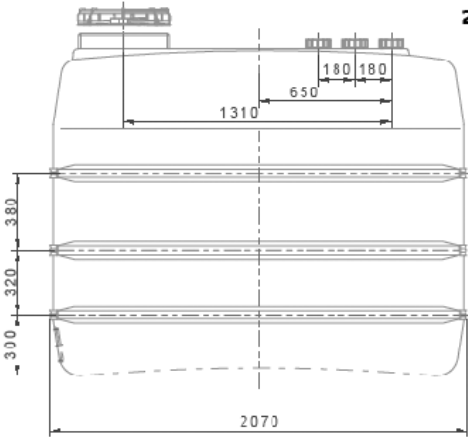
## BALANCE TANKS

Balance tank. Made in ( HD-PE ). With manhole and flange outlet. The Balance tanks are resistant up to 30 % acid at 60° C. Balance tanks are resistant up to max. 5 ppm chlorine. Manhole DN 400. Flange thread 8 x M10.



Type/Volume in liters	1100	1500	2000	2500	3000	4000
Top connection for pipe	2"	2"	2"	2"	2"	2"
Weight kg. Net	55	70	110	115	165	235
C.H.D. mm. for flange	160	160	160	160	160	160
Pipe flange connect ion	90	90	90	90	90	90

## BALANCE TANKS



**Spare parts:**

- 69-301100 Retainer, nut - red
- 69-301120 Threaded flange - red
- 69-301130 Retainer, nut - black
- 69-301140 Threaded flange, black