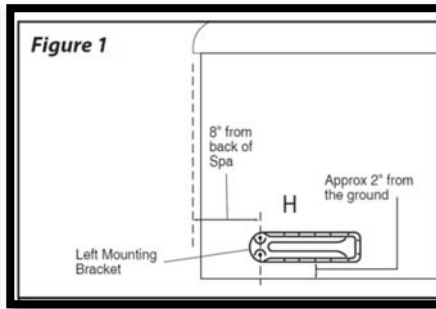
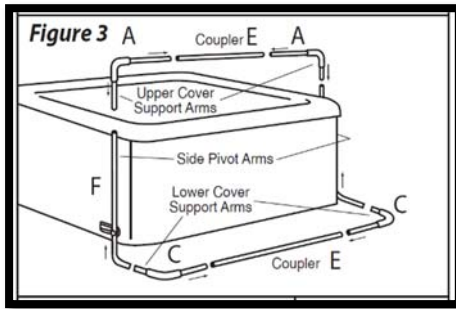


# CoverMate II



## Includes

- Black powder-coated, rust-free aluminum tubing
- Euro-styled composite, non-corrosive mounting brackets (same as CoverMate I)
- Foam grips for comfortable handling
- TowelMate for hanging up to three towels
- **Optional Understyle Bracket** with 7" kickplate that slides under the spa, does not need to be mounted to the side of the spa



- |   |
|---|
| ○ Requires <b>18 inches</b> of clearance behind the spa   |
| ○ Requires <b>4 to 5 inches</b> of clearance on each side of the spa                                |
| ○ Fits virtually any spa from <b>6 feet to 8 feet</b> in length and width and <b>40" in height</b>  |
| ○ Bracket must be <b>mounted at least 2"</b> from bottom of spa, 50% of cover will be above the spa |

## Dimensions

- ✓ Plastic Bracket: 14 ¼" L x 4 ¼" W - same as CoverMate I
- ✓ Understyle Bracket: 7 ½" L x 9 ½" W with 7" kick plate - protruding bracket is 3" H x 2 ½" L
- ✓ Support Arm Upper: 20" L x 40" W
- ✓ Support Arm Lower: 10" L x 40" W
- ✓ Pivot Arm: 41" L x 14 ½" W
- ✓ Coupler: 42" L x 1 ¼" diameter
- ✓ Foam Grip Upper: 8"
- ✓ Foam Grip Lower: 10"