

HYDROSTATIC LEVEL METER

For ASIN AQUA: Home, Salt, Oxygen, Profi and ASIN POOL



welldana[®]



Hydrostatic Level meter #12086

Hydrostatic Level meter

The compact hydrostatic level meter contains a silicon tensometric sensor and evaluation electronics in durable teflon housing. From the teflon housing comes the original cable which contains the original connecting cables and an atmospheric pressure sampling tube. At the end of the original cable is the terminal box. The front side of the teflon housing is equipped with a removable cover, preventing mechanical damage to the membrane.

The level meter monitors the water level based on hydrostatic pressure measurements.

The length of the original cable is 4 meters.

Its measuring range is by default set to 0 - 200 cm.

The level meter is compatible with the ASIN AQUA series: Home, Oxygen, Salt, Profi, and lan controller ASIN Pool.

Installation

Installation is done by securing the teflon probe of the level meter in a vertical position in a:

① buffer tank

or in a

② blind nozzle (skimmer pools)

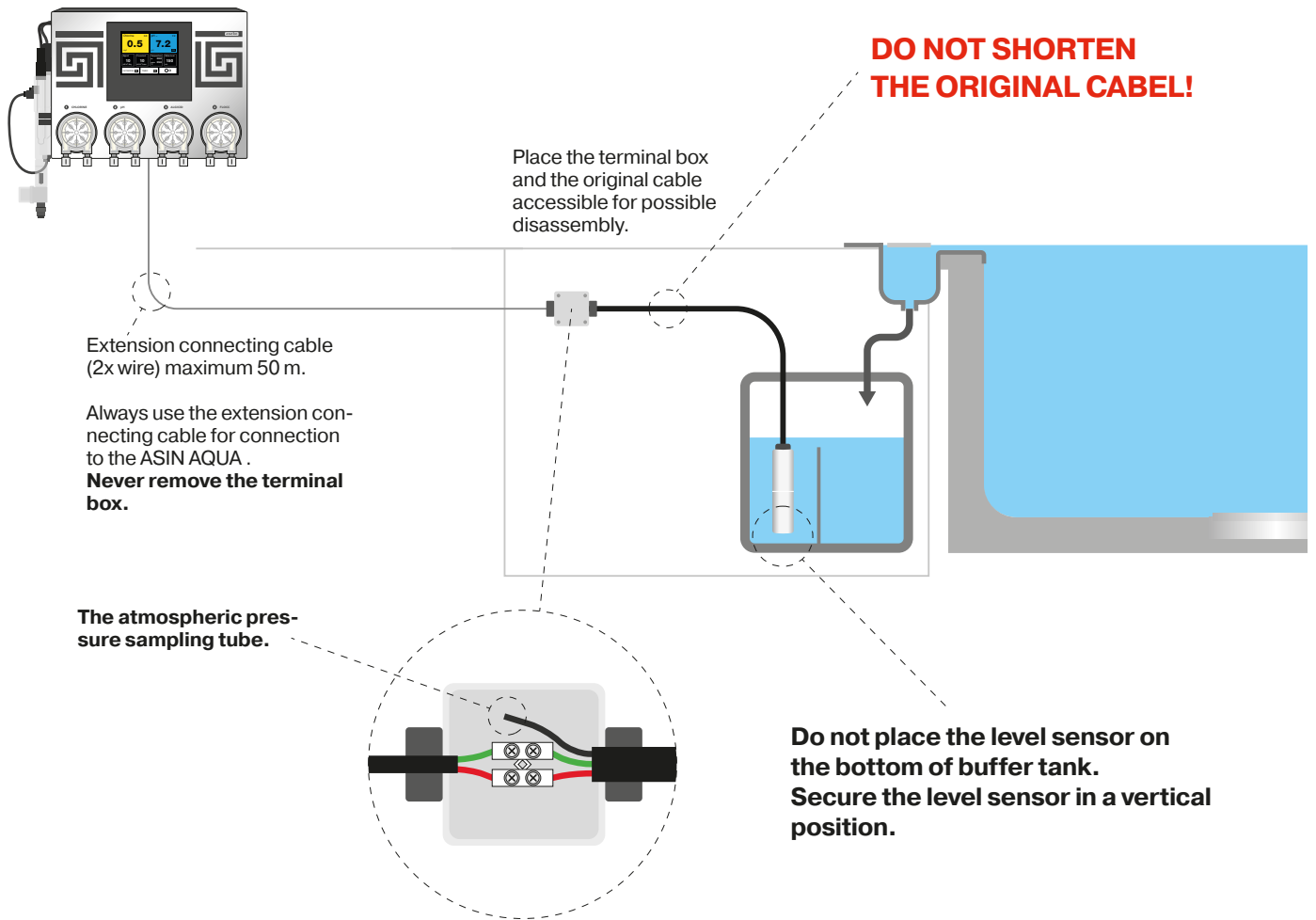
Use a non-hermetic junction box to connect the wiring. **The original cable includes an atmospheric pressure sampling tube.**

The atmospheric pressure sampling tube must be passable at all times. Never remove the terminal box. When winding the excess cable, the diameter of the circle must be at least 30 cm! Do not shorten the original cable or mechanically modify it in any way.

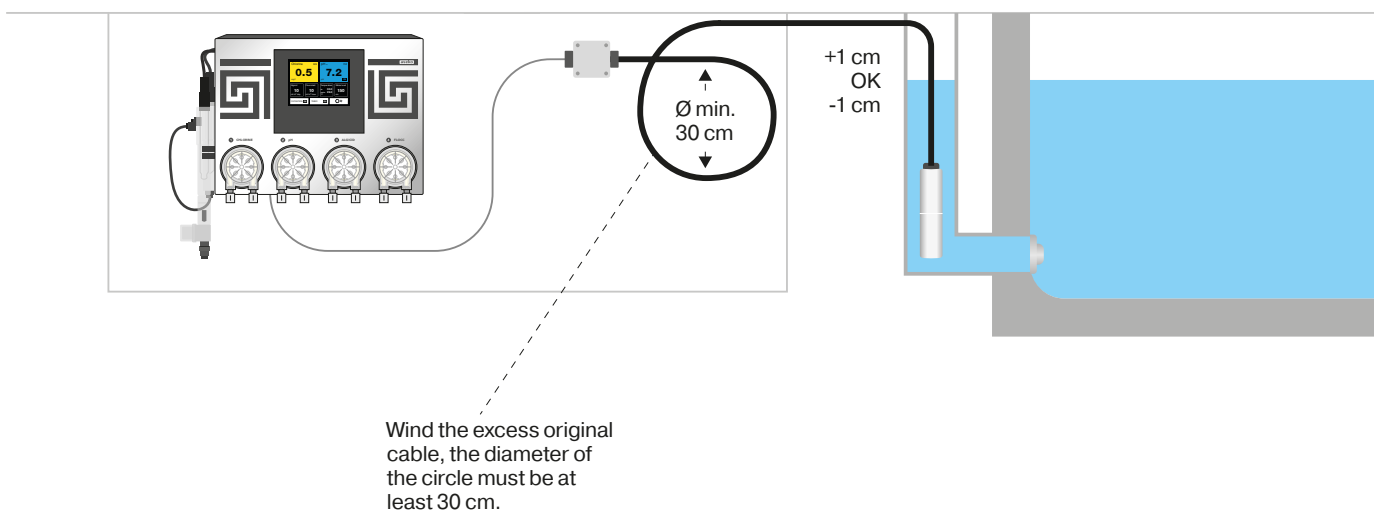
In the buffer tank where the water swirls due to a strong inflow, the level meter teflon probe must be placed in a stilling pipe, or at least as far as possible from the source of the swirl.

For correct connection with the ASIN AQUA and ASIN POOL follow the instructions in the manual of the device.

1 Installation in buffer tank



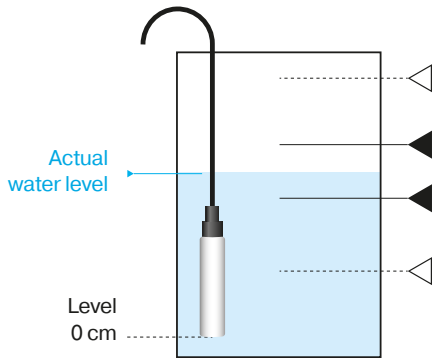
2 Installation into the blind nozzle of the skimmer pool



The function of the level meter in the ASIN Aqua and the ASIN Pool

The water level is monitored in four levels. Levels are entered in centimeters in the configuration of ASIN Aqua.

Levels:



High level - ALARM

too much water in a buffer tank
After this level is reached, the following actions may start:

- If the automatic filter backwash is enabled, one filter backwash cycle starts and drains the wastewater.
- If the automatic filter backwash is not enabled, relay 19 switches on (filter backwash) for the period until the level is OK. The second circulating pump can be connected to this relay.
- If the circulation pump is turned OFF it will be turned ON.

Refilling - OFF

required level reached
Refilling stops.

Refilling - ON

level at which refilling starts
Refilling starts if the water level stays for 10 seconds below this value (to prevent oscillating).

Low level - ALARM

The circulation pump and the controlling system will be turned off.

Protection, safety and compatibility

The level meter is equipped with protection against reverse polarity of the supply voltage and against current overload.

Protection against dangerous contact is ensured by a small safe voltage according to ČSN 33 2000-4-41

Electromagnetic compatibility is ensured according to the standards ČSN EN 55011/B, ČSN EN 61326-1, ČSN EN 61000-4-2 (8 kV), -4-3 (10 V/m), -4-4 (2 kV) a -4-6 (10 V).